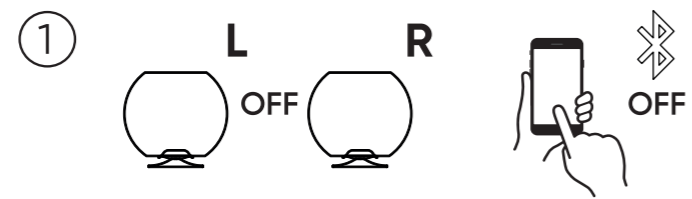
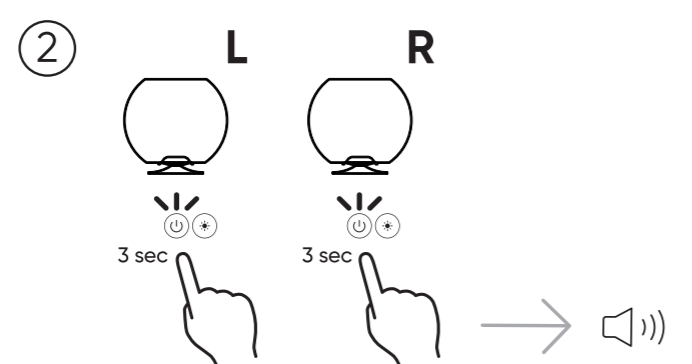
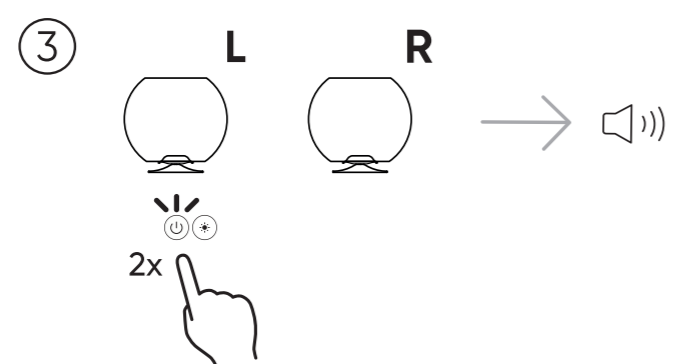
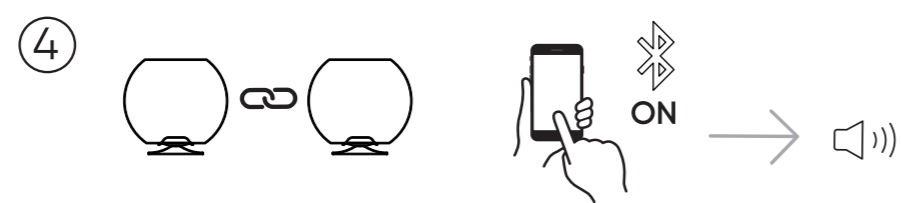


Pairing Mode

- 

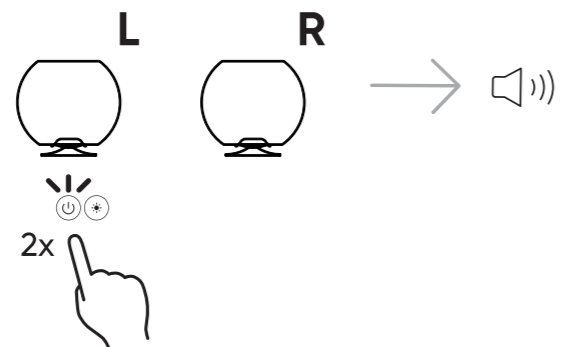
1. Turn off the left (L) and right (R) speakers. Turn off Bluetooth on the smartphone.
- 

2. Press and hold the power button on both the left (L) and right (R) speakers for 3 seconds.
- 

3. Press the power button on the left (L) speaker twice.
- 

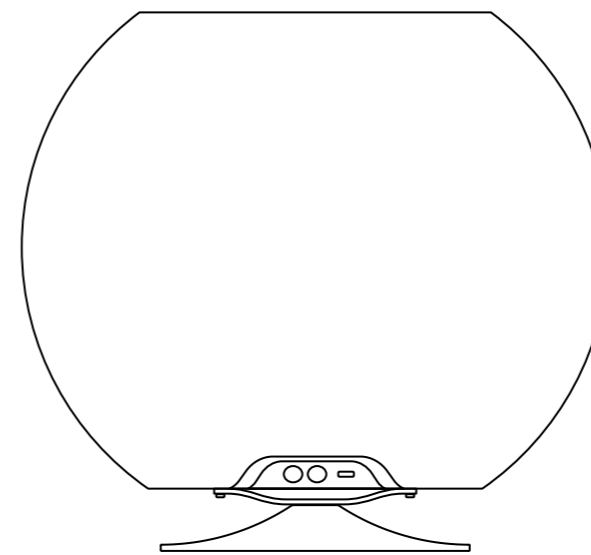
4. Turn on Bluetooth on the smartphone. The speakers will be paired.

Unpair

- 

1. Press the power button on the left (L) speaker twice.

kooduu

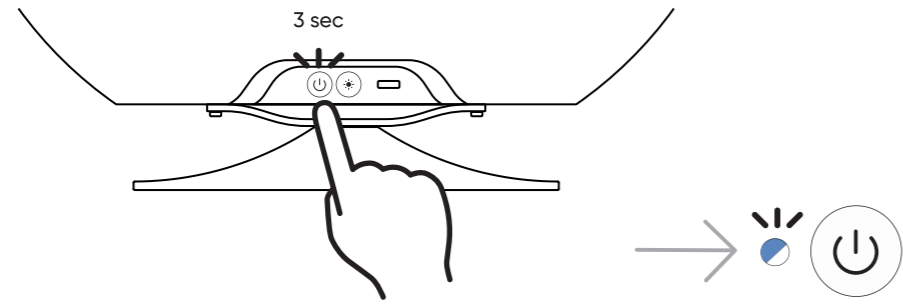


Sphere

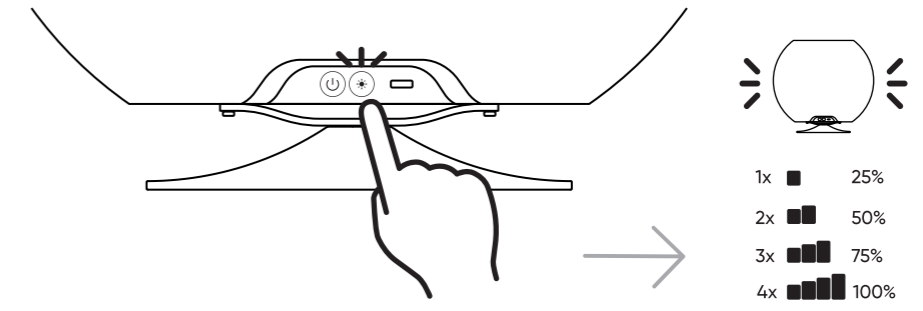
Quick Start Guide

V 1.1 2022

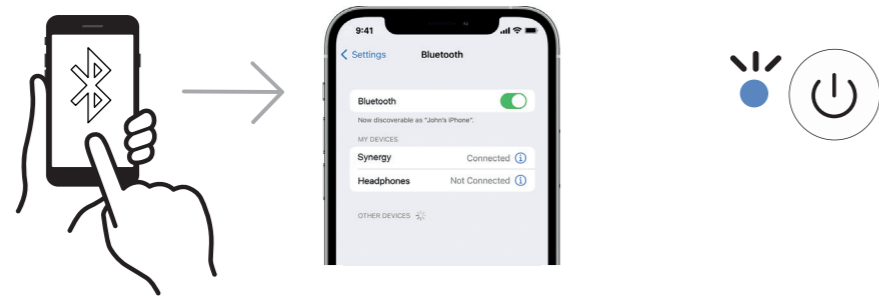
Power On/Off



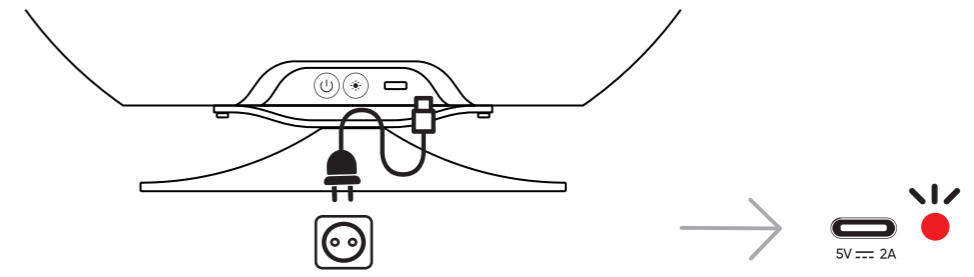
Light Dimmer



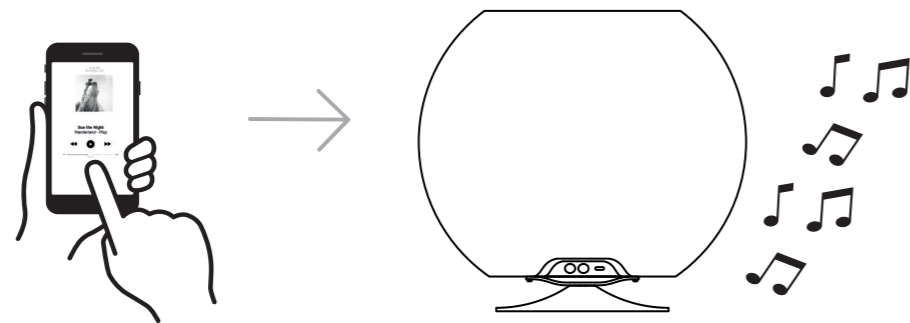
Connect Bluetooth Device



Charging



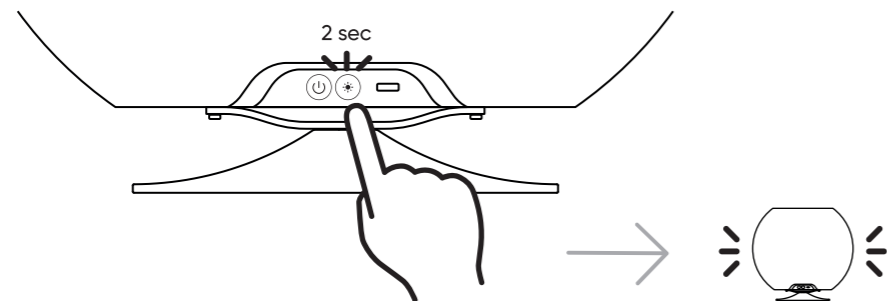
Play Music



LED status



Light On/Off



Reset

